



VIKING

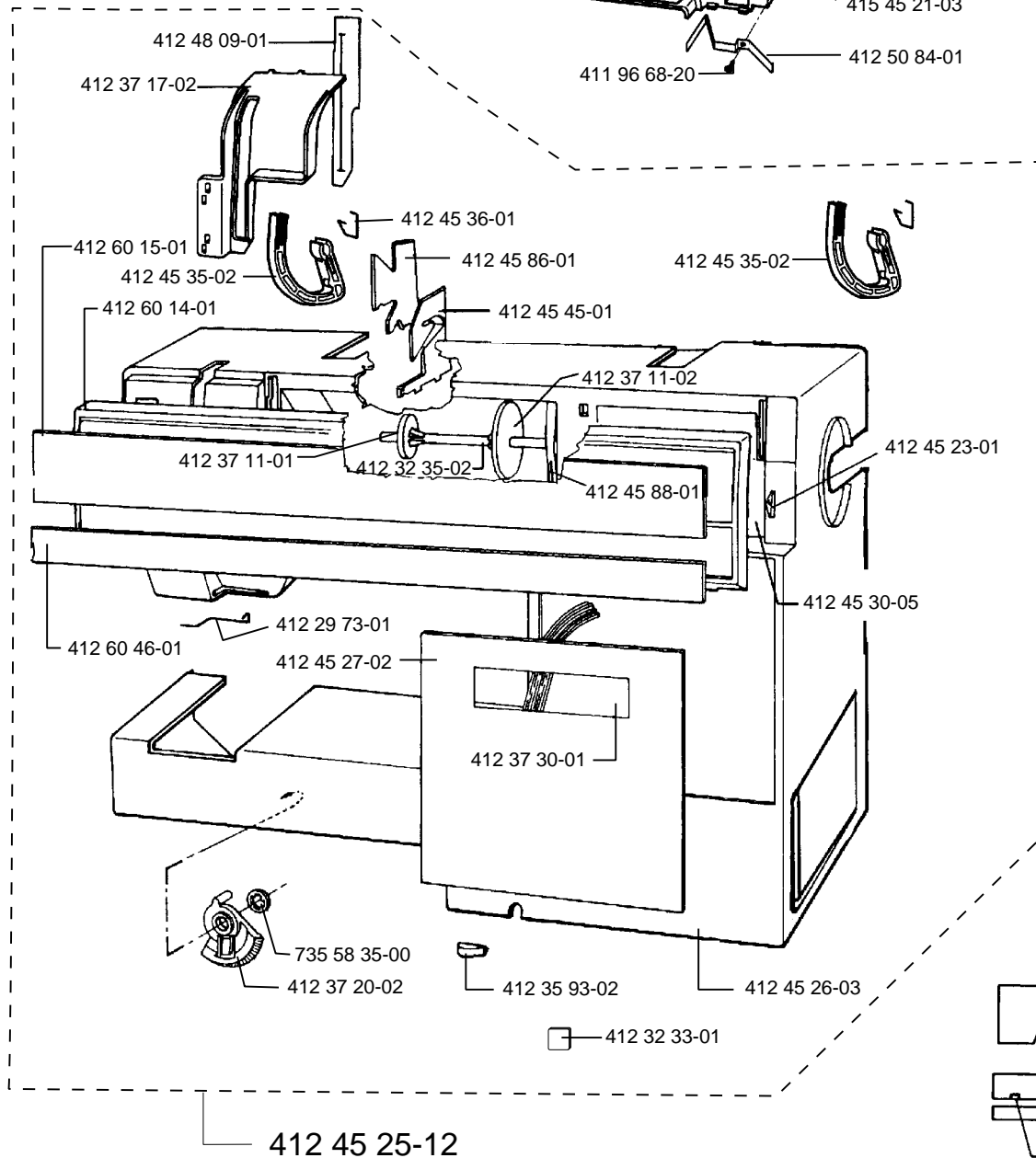
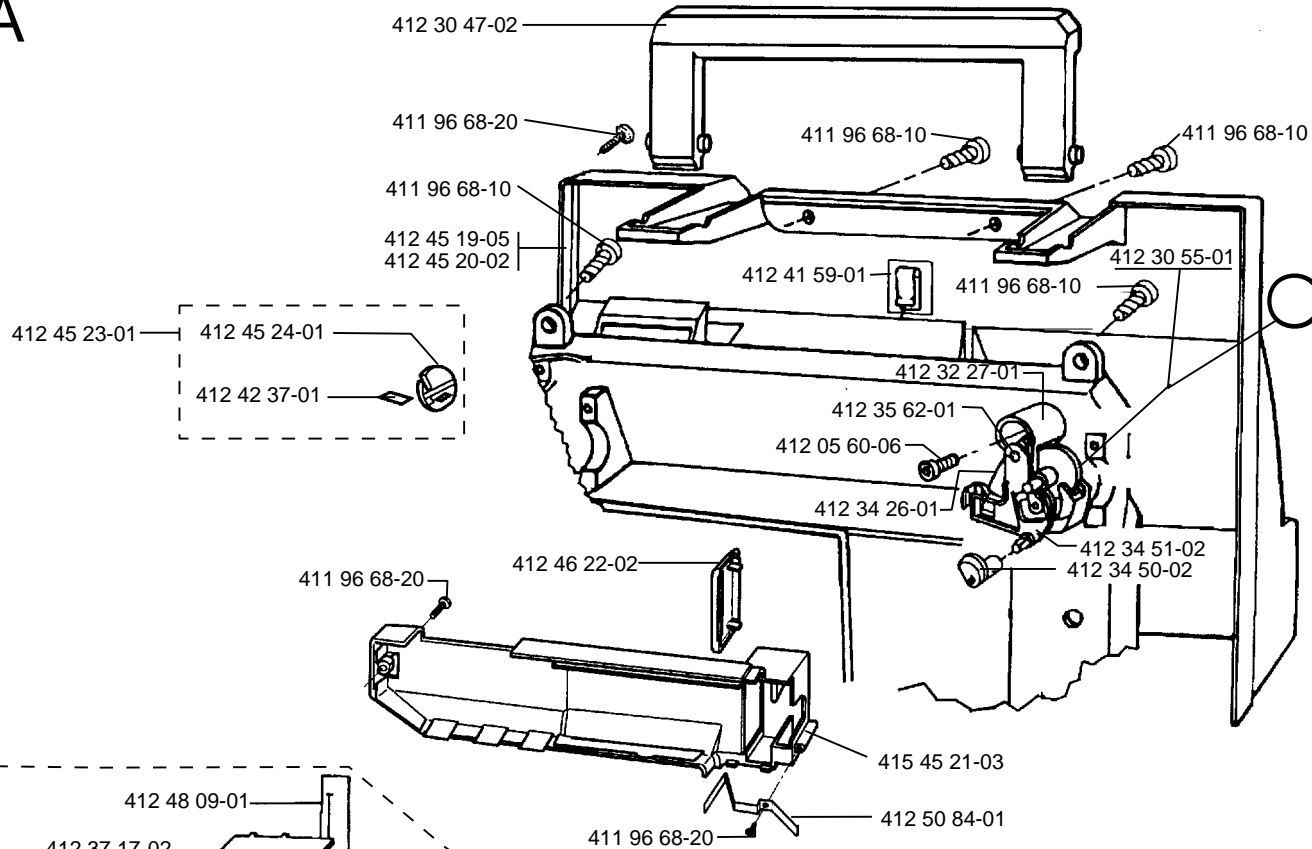
Spare parts list

605
and
the Embroidery unit

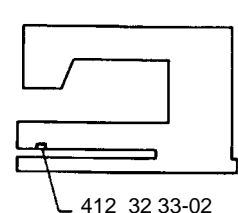
Part no	Description	Square	Part no	Description	Square
411 72 10-01	Washer	C	412 32 49-01	Screw thread tension	G
411 75 00-07	Needle bar compl.	F	412 32 50-02	Spring holder	G
411 75 02-01	Neddle clamp	F	412 32 67-45	PC-board transformer	B
411 75 03-02	Stop needle clamp	F	412 32 71-45	Transformer 220-240 V	B
411 75 04-01	Thread guide	F	412 32 71-47	Transformer 120 V	B
411 78 10-03	Light bulb	F	412 32 71-48	Transformer 100 V	B
411 96 67-02	Screw	A	412 32 84-01	Clamp	D,H
411 96 68-01	Screw	M	412 33 62-01	Cog wheel	E
411 96 68-03	Screw	L,M	412 33 93-01	Attachment, motor	B
411 96 68-02	Screw	G	412 33 94-01	Muffler, motor	B
411 96 68-08	Scew	L,M	412 33 97-01	Motor 24 V	B
411 96 68-10	Screw	A	412 34 24-07	Base plate	B
411 96 68-12	Screw	B	412 34 26-01	Spring	A
411 96 68-20	Screw	A	412 34 42-03	Hardcover	K
411 96 68-21	Screw	F	412 34 45-01	Holder	B
411 98 68-23	Screw	L	412 34 47-01	Holder	B
411 96 71-03	Screw 14 mm	M	412 34 48-01	Screen	D
411 96 71-07	Screw	B	412 34 50-02	Eccentric	A
411 96 72-12	Screw	G	412 34 51-02	Adjusting arm	A
411 98 14-01	Washer	C,N	412 34 54-01	Cog belt	H
412 00 13-01	Washer	D	412 34 60-01	Stop ring	D
412 02 41-01	Spring	F	412 34 75-01	Feeding step motor	E
412 05 60-01	Screw M5*14	B	412 34 79-01	Calibration stop	E,F
412 05 60-04	Screw M3*6	C,E,F	412 34 80-02	Damper	E,F
412 05 60-06	Screw M4*12	A,B,D,E,G,H	412 34 81-01	Spring	E
412 05 60-07	Screw M4*16	G	412 34 82-01	Setting screw	E
412 05 60-10	Screw M3*10	F	412 34 84-01	Shaft, feeding compl.	E
412 05 60-11	Screw M3*5	D,G,L,M	412 34 85-01	Joint cross	E
412 13 12-01	Bulb 4 V	B	412 34 87-01	Spring	E
412 14 30-05	Fuse 6.3 A/250 V	B	412 34 88-01	Fastener, spring	E
412 14 30-06	Fuse 2 A/250 V	B	412 34 89-01	Spring	F
412 14 32-04	Fuse 3.5 A/250 V (USA)	B	412 34 91-01	Attachment	F
412 14 32-05	Fuse 2 A/250 V (USA)	B	412 34 92-01	Cog wheel	F
412 15 78-01	Cord device, stand.	J	412 34 96-01	Cablage motor	B
412 15 79-03	Cord device, USA, Can.	J	412 34 97-01	Cable for PC-board	B
412 15 80-02	Cord device, England	J	412 35 26-01	Washer	D
412 15 81-01	Cord device, Australia	J	412 35 31-01	Thread tension set	G,K
412 15 98-01	Spring	J	412 35 33-02	Driving wheel compl.	B
412 18 45-01	Foot	J	412 35 42-01	Pulley	D
412 21 14-01	Screw M3x4 mm	G,M	412 35 56-01	Sleeve, lamp	K
412 21 14-02	Screw M3*6	F	412 35 62-01	Pin	A
412 21 14-03	Screw M3*8	F	412 35 64-01	Holder	B
412 21 14-10	Screw M4x6 mm	M,L	412 35 93-02	Cover	A
412 21 14-14	Screw M4x16 mm	B,M	412 36 14-01	Opener, throat plate	K
412 22 98-01	Locking nut	E	412 36 80-01	Locking washer	C
412 28 19-02	Screw	C,F	412 36 82-03	Lower shaft compl.	D
412 28 19-03	Screw	F	412 36 83-02	Arm shaft	H
412 28 48-01	Spring	C	412 36 84-01	Cog belt	H
412 28 51-01	Adjusting arm	F	412 36 87-01	Pin	H
412 28 54-01	Presser bar	F	412 37 11-01	Thread reel disc 20 mm	A
412 28 75-01	Base plate	B	412 37 11-02	Thead reel disc 40 mm	A
412 28 79-01	Screw	D	412 37 14-02	Lever feed lift	C
412 28 81-01	Throat plate	D	412 37 17-02	Screen	A
412 29 38-01	Worm gear	D	412 37 20-02	Knob, feed dog lowering	A
412 29 73-01	Thread guide	A	412 37 27-01	Spring	C
412 30 06-01	Driver	H	412 37 30-01	Window, foil keyboard	A
412 30 07-01	Spring	H	412 37 35-01	Connector sensor	F
412 30 08-01	Pulley	H	412 37 82-01	Nut	C
412 30 09-02	Hand wheel	H	412 38 16-03	Feeding unit complete	C
412 30 16-01	Link	G	412 38 31-02	X-unit compl	L
412 30 21-01	Locking washer	G	412 38 32-01	Y-unit compl	M
412 30 30-01	Guide arm	F	412 38 33-01	Frame X-unit	L
412 30 47-02	Handle	A	412 38 34-01	Shaft X-unit	L
412 30 50-01	Foot	B	412 38 38-01	Cog wheel	L,M
412 30 55-01	Rubber ring	A	412 38 39-01	Cog wheel	L,M
412 30 66-01	Shuttle shaft	D	412 38 40-01	Cog wheel	L,M
412 30 74-01	Damper	D	412 38 41-01	Cog wheel	L,M
412 30 79-01	Eccentric feed	D	412 38 42-01	Cog wheel	L,M
412 30 83-04	Frame, sewing head	F	412 38 43-01	Washer	G,L,M
412 30 91-04	Regulating dial	F	412 38 44-01	Shaft belt tension X-unit	L
412 30 96-02	Presser bar guide	F	412 38 45-01	Cog belt X-unit	L
412 30 97-02	Presser bar lifter	F	412 38 46-01	Cog belt Y-unit	M
412 31 04-02	Guide compl.	C	412 38 47-02	Slide X-direction	L
412 31 06-01	Spring	C	412 38 48-01	Holder Y-slide, step motor	M
412 31 41-02	Foot control compl.	J	412 38 49-01	Frame Y-unit	M
412 31 44-01	Cable standard	J	412 38 52-01	Shaft belt tension Y-unit	M
412 31 44-02	Cable USA, Can, Japan	J	412 38 53-01	Shaft Y-slide	M
412 31 48-01	Spring	C	412 38 54-01	Holder	M
412 31 60-41	Shaft, sewing frame	F	412 38 55-01	Slide Y-unit	M
412 31 76-01	Toothed segment	F	412 38 56-01	Washer	M
412 31 79-01	Clutch	H	412 38 58-01	Stop, Embroidery frame	N
412 31 81-01	Clamp, lower shaft	D	412 38 61-01	Screw	N
412 31 84-01	Bushing, feed dog	C	412 38 62-01	Key	N
412 31 89-01	Control unit	J	412 38 67-01	Seal	M
412 32 27-01	Bobbin winding	A	412 38 68-02	Cover Y-unit	M
412 32 33-01	Sealing washer, Foil key board	A	412 38 69-01	Clamp flex cable	L
412 32 33-02	Sealing washer, Frame	A	412 38 73-01	Clamp	L
412 32 34-03	Step motor, feeding	E	412 38 75-47	Circuit board, main board	L
412 32 34-07	Step motor, sewing head	F	412 38 75-48	Circuit board	M
412 32 35-02	Reel pin	A	412 38 79-03	Cable compl.	L
412 32 43-02	Thread reel pin	K	412 38 81-02	Cable flexible	L
412 32 47-01	Lever thread tension	G	412 39 09-19	Plastic bag with access.	K
			412 39 11-02	Cable	B

Part no	Description	Square	Part no	Description	Square
412 39 44-01	Thread take up	F	412 56 15-45	Plastic bobbins (10-pac)	D,K
412 39 47-01	Washer	D	412 56 85-01	Dust cover	D
412 39 54-01	Feed unit compl.	C	412 56 86-01	Adjusting washer	D
412 39 56-02	Frame carriage	C	412 58 25-01	Screw, needle clamp	F
412 39 59-04	Sewing head compl.	F	412 60 14-01	Cover	A
412 39 61-01	Stop spring	N	412 60 15-01	Window ,	A
412 39 62-01	Spring	N	412 60 46-01	Name plate	A
412 39 70-01	Guide connector	F	412 62 18-01	Foot control, empty	J
412 39 72-02	Cable guide Y-unit	M	721 11 87-50	Pin	F
412 39 79-01	Step motor compl. X-unit	L	721 41 64-50	Pin	C
412 39 79-02	Step motor compl. Y-unit	M	721 41 69-70	Pin	E
412 39 90-01	Nut	N	721 41 87-70	Pin	D,H
412 40 39-01	Felt spacer	M	721 42 10-10	Pin	D
412 40 74-01	Spring	M	725 52 20-05	Screw M3*6	E
412 40 97-01	Screw, Holder	F	725 62 91-01	Screw M4*12	F
412 41 12-01	Holder	F	728 52 17-05	Screw M3*3	E,F
412 41 59-01	Clip	A	728 52 18-05	Screw M5*6	F
412 41 61-02	Plastic bag w. access.	N	728 52 83-05	Screw M4*4	D,H
412 42 37-01	Thread knife	A,D	728 52 85-05	Screw M4*6	F
412 43 18-01	Feed dog	C	728 52 87-05	Screw M4*8	D
412 44 02-45	PC Board	B	728 53 20-05	Screw M5*5	H
412 44 25-02	Cover, top	M	728 73 20-01	Screw	H
412 44 26-02	Cover, base	L	728 73 64-05	Screw 6*10 mm	B
412 44 28-01	Spring	L,M	731 23 12-01	Nut	F,L,M
412 44 29-01	Spring	L,M	734 11 23-71	Washer	G,L,M
412 44 31-01	Spring	L	734 11 30-01	Washer	M
412 44 32-01	Spring	L	734 11 36-01	Washer	L,M
412 44 33-02	Latch	L	735 21 36-01	Locking washer	B
412 44 34-02	Pin	L	735 31 06-20	C-washer	G,L
412 44 35-01	Holder, cable	L	735 31 08-00	C-washer	F
412 44 37-02	Adjusting dial	G	735 31 08-20	C-washer	D,G,L,M
412 44 40-02	Hook compl	D	735 58 35-00	Locking washer	A
412 44 44-01	Cog wheel	D	735 58 55-00	Locking washer	H
412 44 68-01	Screw	N	735 61 24-40	Compression ring 3 mm	G,M
412 44 69-01	Grip	N	735 61 36-40	Compression ring 4mm	F
			735 61 53-40	Compression ring 6mm	F
412 44 70-01	Embroidery frame compl.	N			
412 45 19-05	Back cover , upper	A	ACCESSORIES		
412 45 20-02	Back cover , upper - blank cover	A	401 53 99-01	Buttonhole knife	K
412 45 21-03	Back cover , lower	A	401 55 55-01	Brush	K
412 45 23-01	Thread knife	A	411 17 32-01	Button reed	K
412 45 24-01	Holder, thread knife	A	412 01 76-01	Hemmer 10 mm	K
412 45 25-12	Front cover compl.	A	412 34 66-45	Glide plates	K
412 45 26-03	Front cover, empty	A	412 34 73-01	Gathering foot	K
412 45 27-02	Foil key board	A	412 37 08-01	Quilting foot "P"	K
412 45 30-05	Guide, quick info	A	412 38 00-01	Presser foot "A"	K
412 45 35-02	Hinge	A	412 38 01-01	Presser foot "B"	K
412 45 36-01	Spring, hinge	A	412 38 02-01	Buttonhole foot "C"	K
			412 38 04-01	Blind stitch foot "D"	K
412 45 43-02	Accessory box	K	412 38 05-01	Zipper foot "E"	K
412 45 45-01	Thread guide	A	412 38 06-01	Edging foot "J"	K
412 45 51-02	Thread tension device	G	412 38 15-01	Screw driver medium	K
412 45 55-01	Take up spring	G	412 39 65-01	Embroidery card 1	N
412 45 56-01	Adjusting sleeve	G	412 40 80-01	Buttonhole sensor foot	K
412 45 57-01	Bracket and lever	G	412 45 41-01	Embroidery foot U	N
412 45 58-01	Sensor	G	412 61 83-01	Embroidery templet	N
412 45 59-01	Plugg, thread tension	G			
412 45 60-01	Thread sensor board-cable	G	OPERATING MANUAL		
412 45 64-01	Cog wheel	G	412 60 80-01	Operating man. Swe	K
412 45 66-01	Attachement, step motor	G	412 60 80-06	Operating man. Dan	K
412 45 68-01	Guide	G	412 60 80-11	Operating man. Fin	K
412 45 69-01	Gear segment	G	412 60 80-21	Operating man. Nor	K
			412 60 80-26	Operating man. Eng	K
412 45 70-01	Step motor, thread tension	G	412 60 80-46	Operating man. Spa	K
412 45 72-01	Cog wheel	G			
412 45 73-01	Spring, presser foot lifter	F	412 60 80-56	Operating man. Rus	K
412 45 74-01	Gear rack	G			
412 45 75-01	Release lever	C			
412 45 83-01	Plug	G			
412 45 86-01	Thread guide	A			
412 45 88-01	Thread support	A			
412 45 89-01	Hook cover	D			
412 45 91-01	Window, hook cover	D			
412 46 03-01	Guide- memory card	B			
412 46 04-01	Spring	B			
412 46 07-01	Micro switch	F			
412 46 13-02	Extention table	K			
412 46 22-02	Cover	A			
412 46 44-01	Screw	D			
412 46 45-01	Screw	D			
412 46 70-01	Screw, embroidery	F			
412 47 16-01	Thread tension compl	D			
412 47 50-01	Screw, Release lever	C			
412 47 66-01	Spring, Release lever	C			
412 47 73-01	Case holder, Hook cover	D			
412 48 09-01	Protector, take up	A			
412 48 55-03	Holder	B			
412 48 85-03	Cable holder	G			
412 48 86-02	Cable holder	G			
412 48 87-01	Cog wheel compl.	G			
412 49 49-01	Distance sleeve	B			
412 50 24-03	Cross head complete	F			
412 50 84-01	Contact spring	A			
412 54 37-01	Adjusting nut	G			
412 54 78-01	Adapter , UK	J			
412 55 01-01	Bobbin case compl.	D			

A



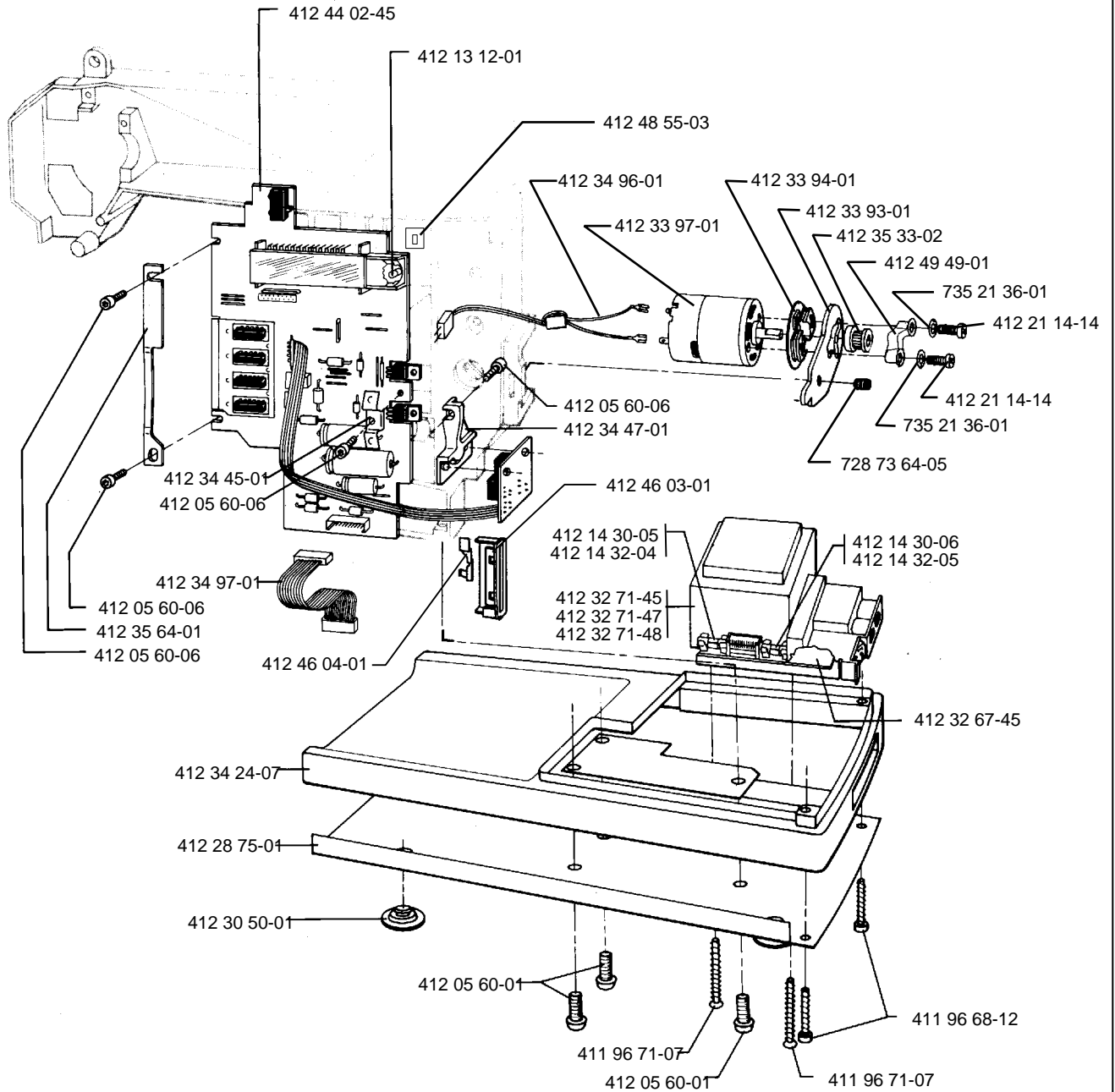
412 45 25-12



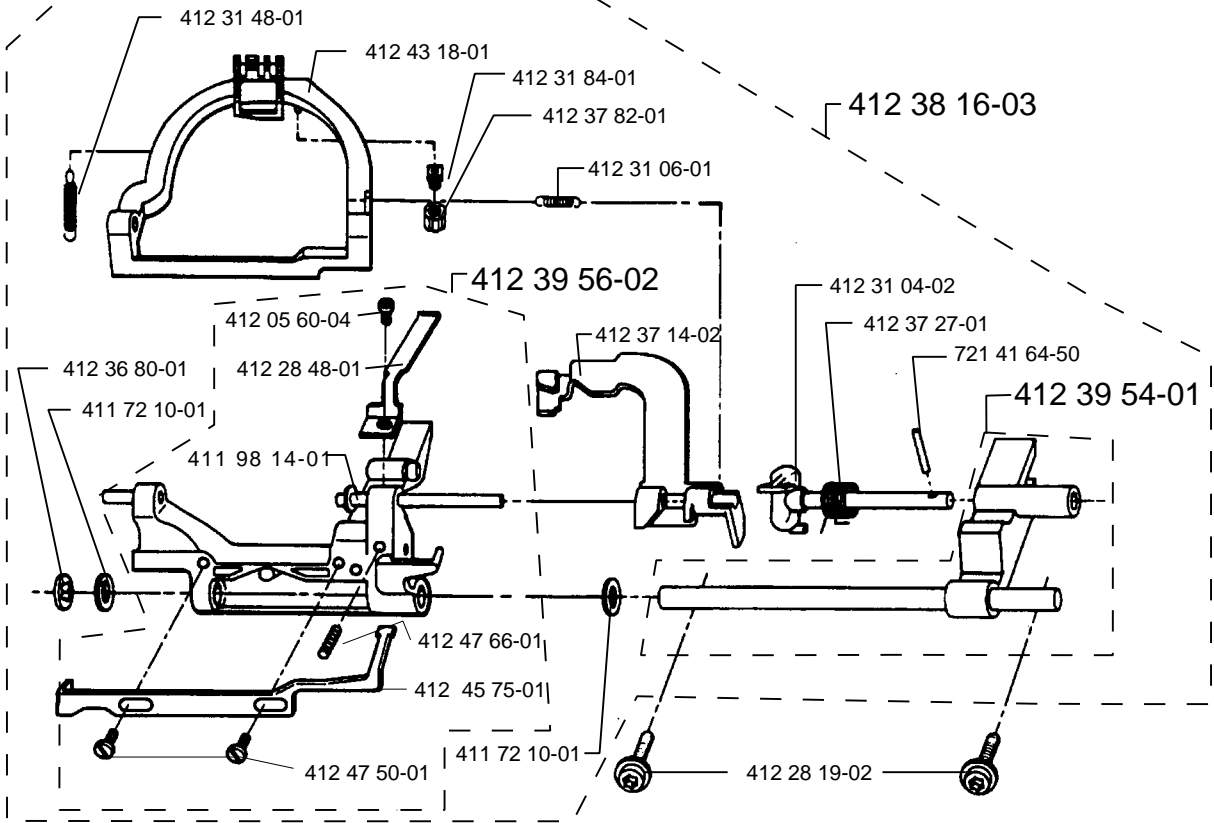
B



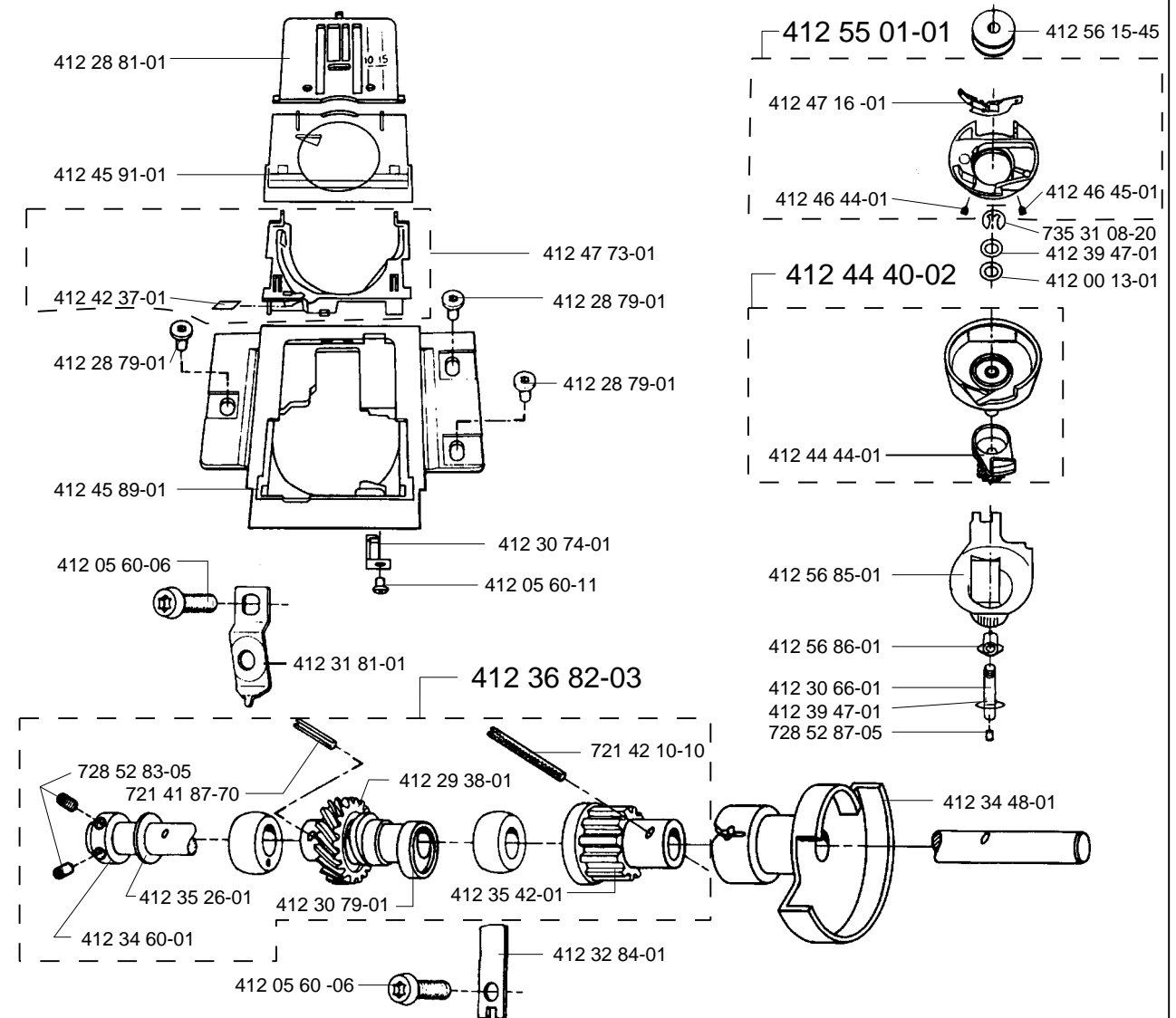
412 39 11-02



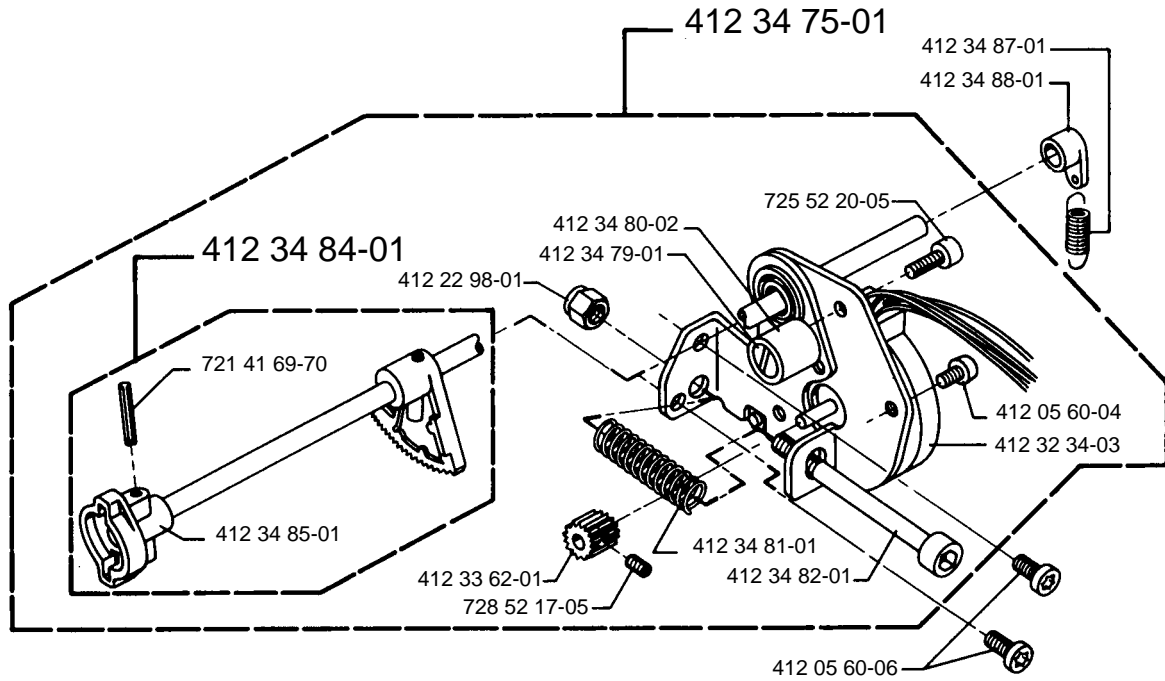
C



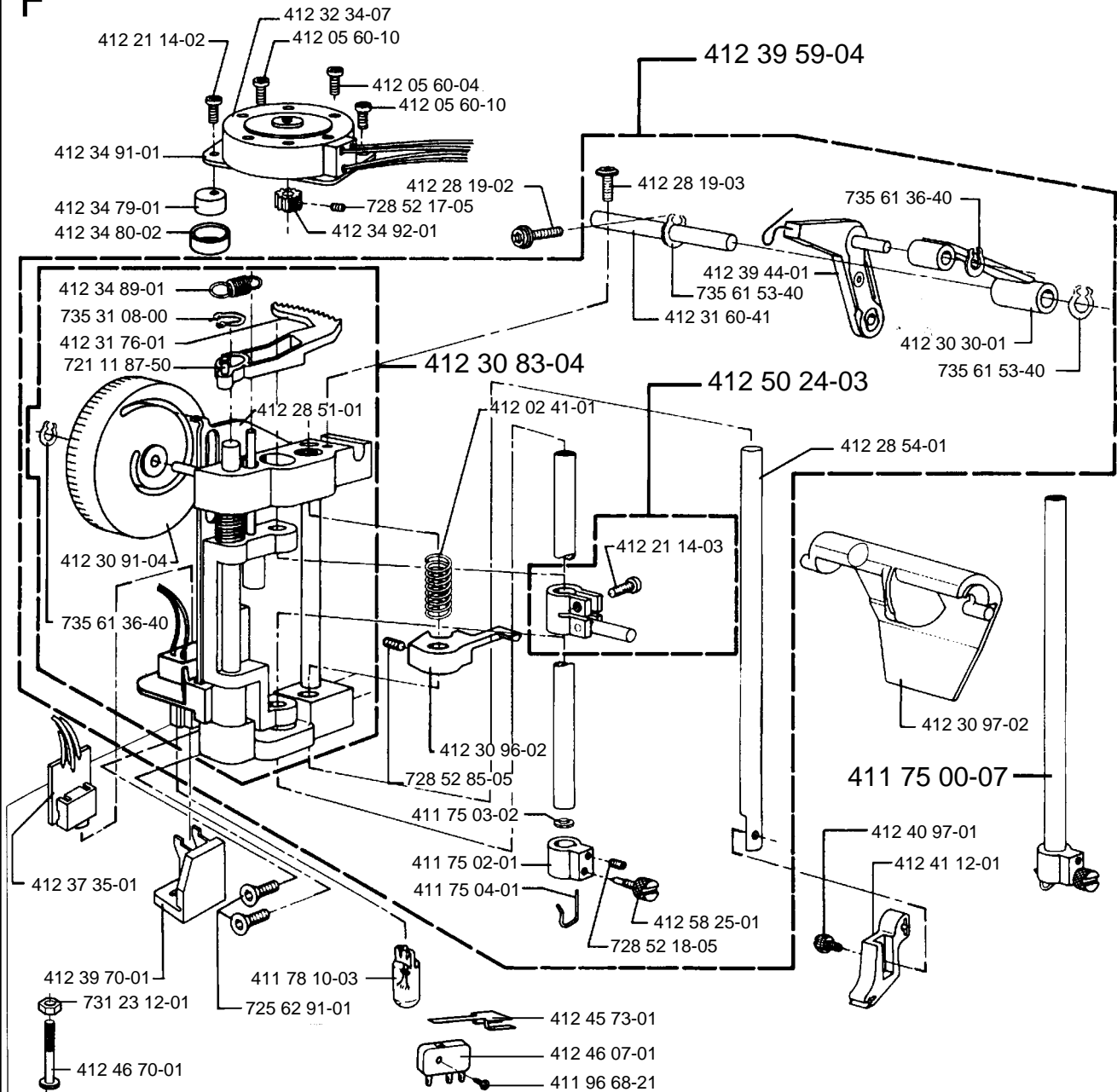
D



E

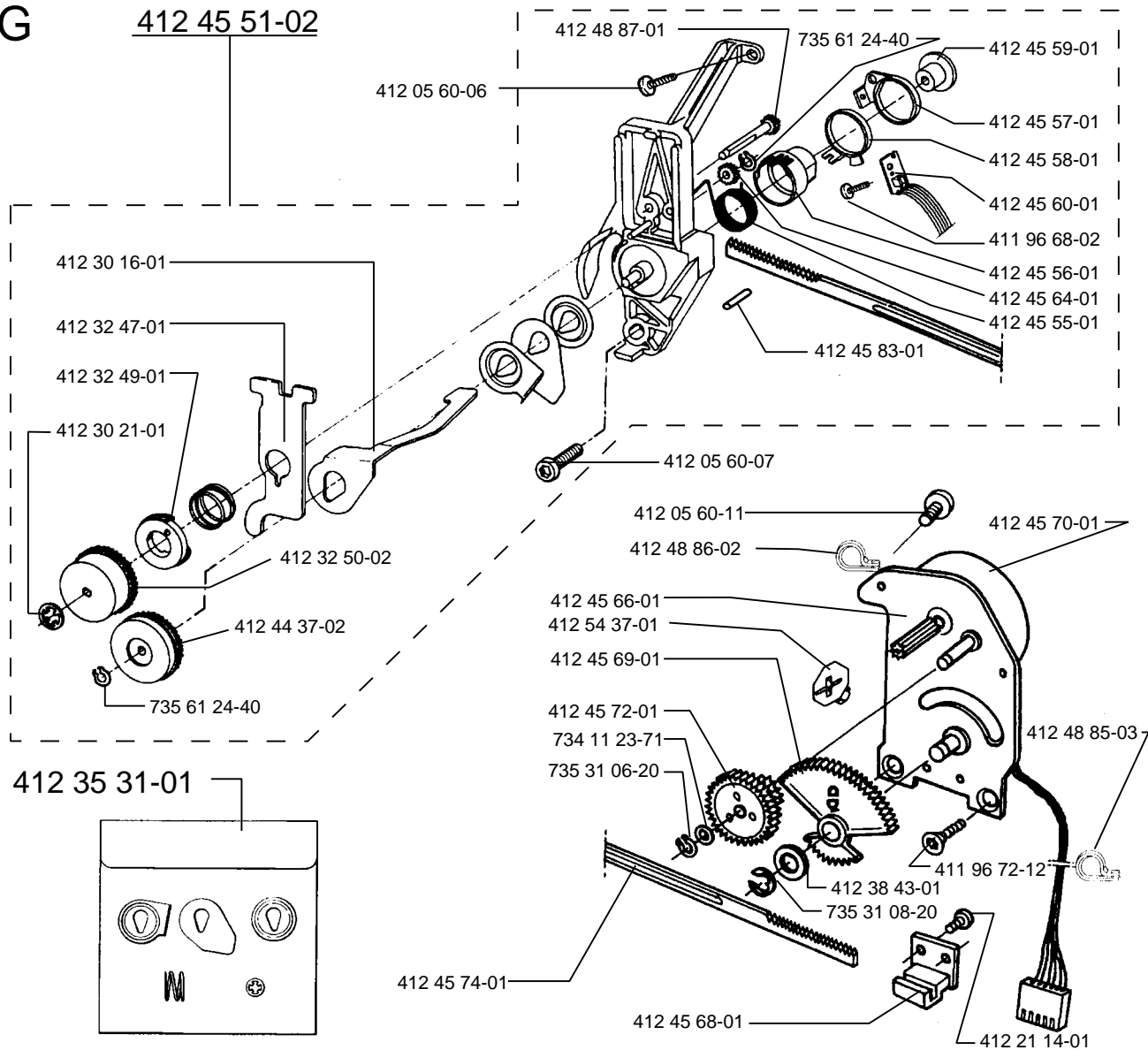


F



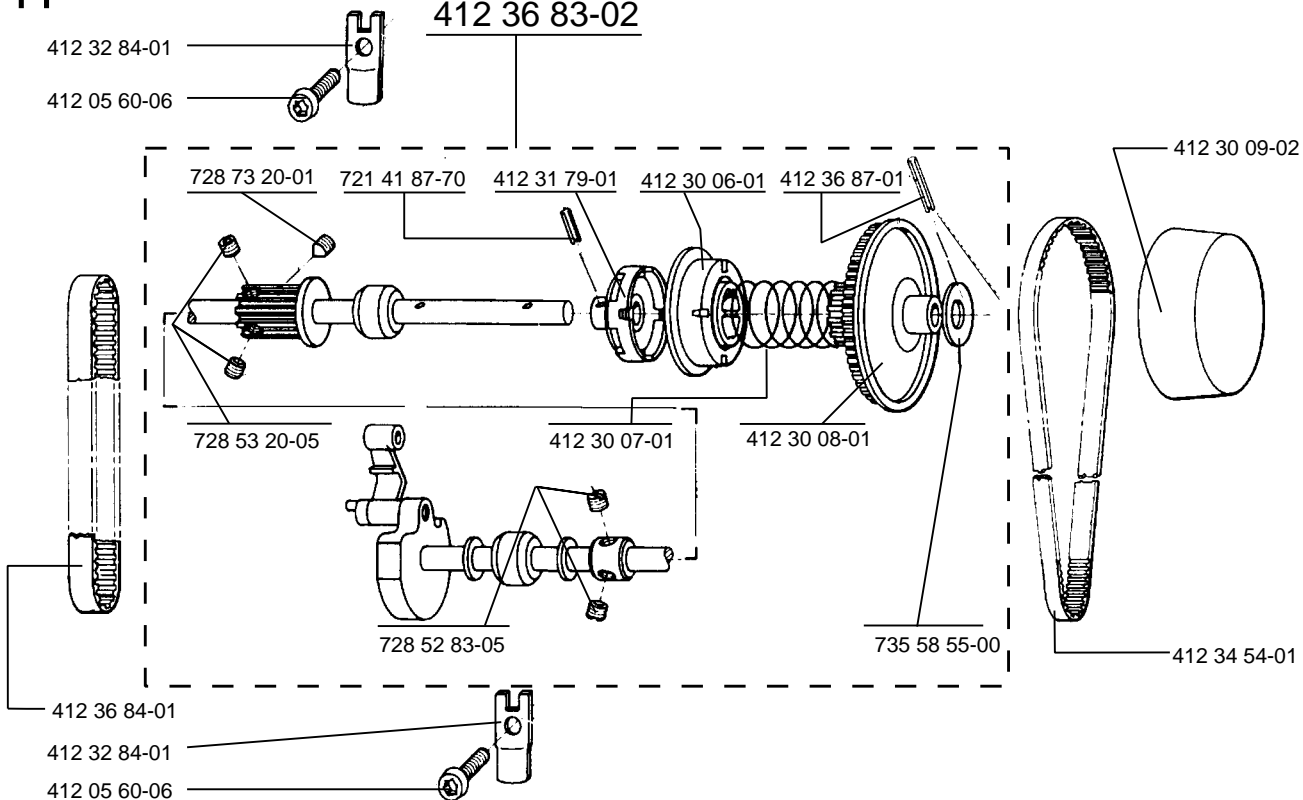
G

412 45 51-02



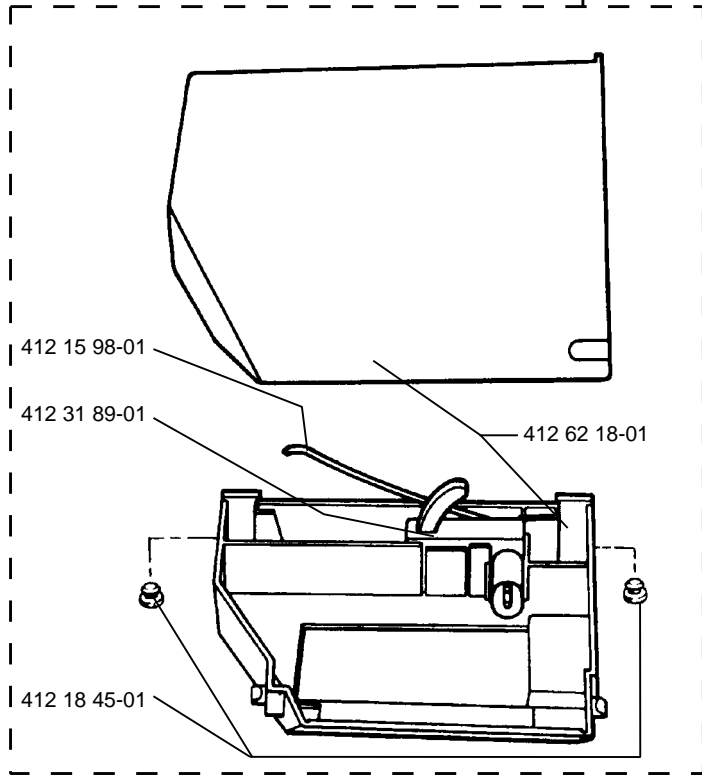
H

412 36 83-02

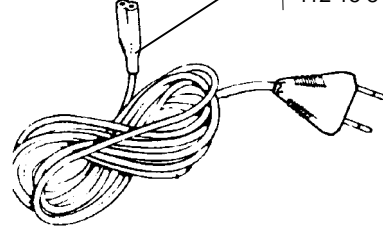


J

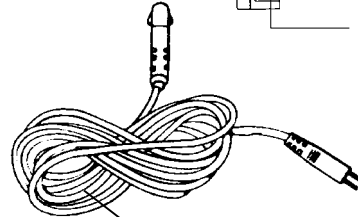
412 31 41-02



412 15 78-01
 412 15 79-03
 412 15 80-02
 412 15 81-01

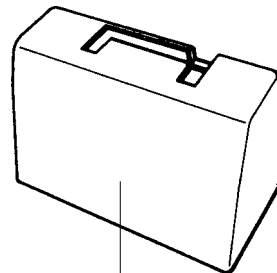
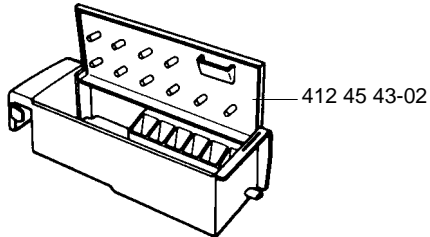


412 54 78-01

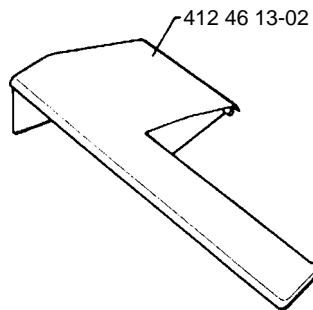
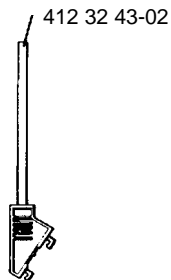


412 31 44-01
 412 31 44-02

K



412 34 42-03 Hard cover



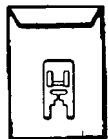
412 35 56-01

412 36 14-01

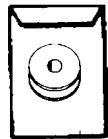
ACCESSORIES



412 35 31-01
 Thread tension
 set

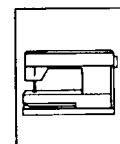


412 39 09-19
 Plastic bag
 with access.



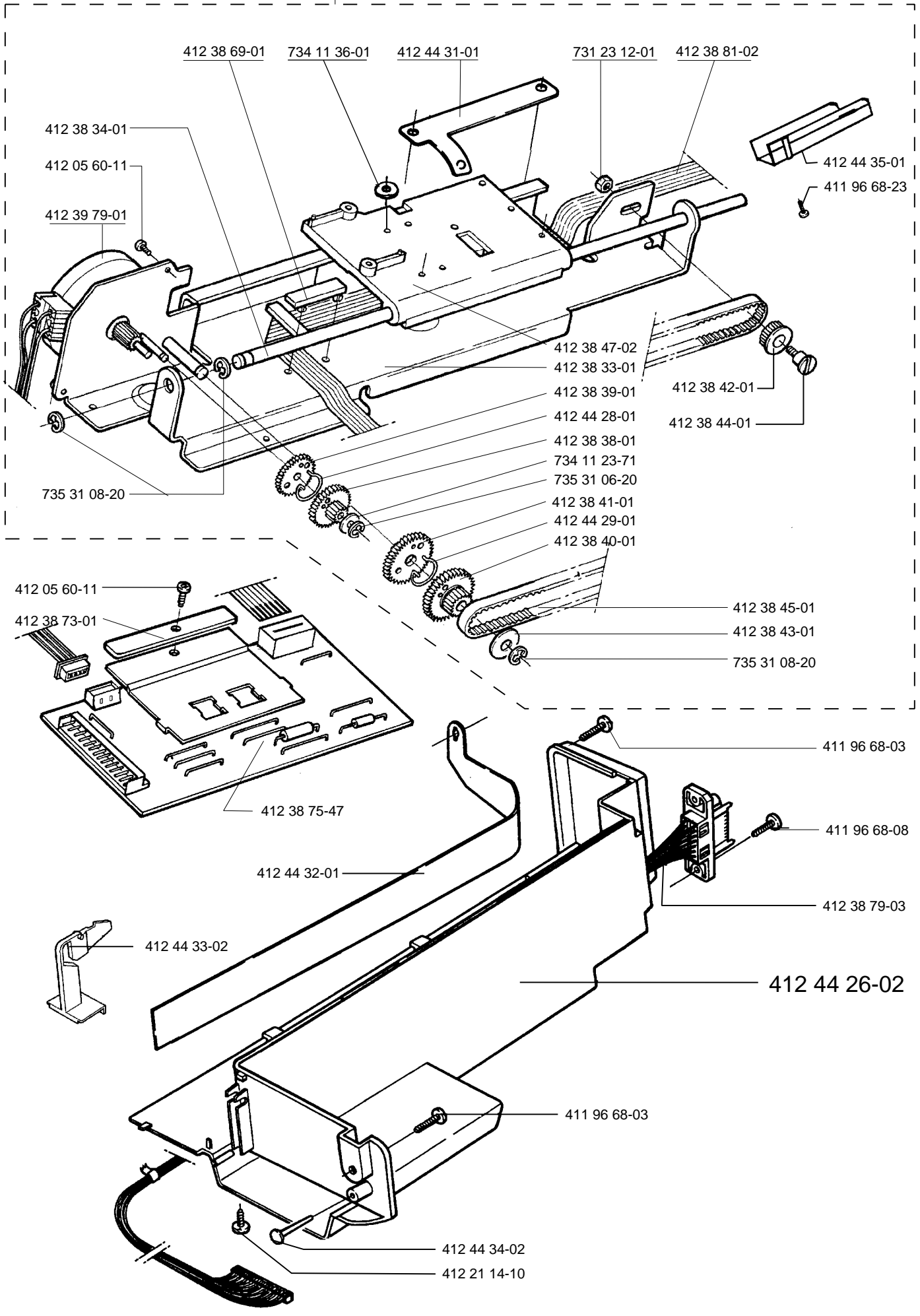
412 56 15-45
 Plastic bobbins
 10 pac

OPERATING MANUALS



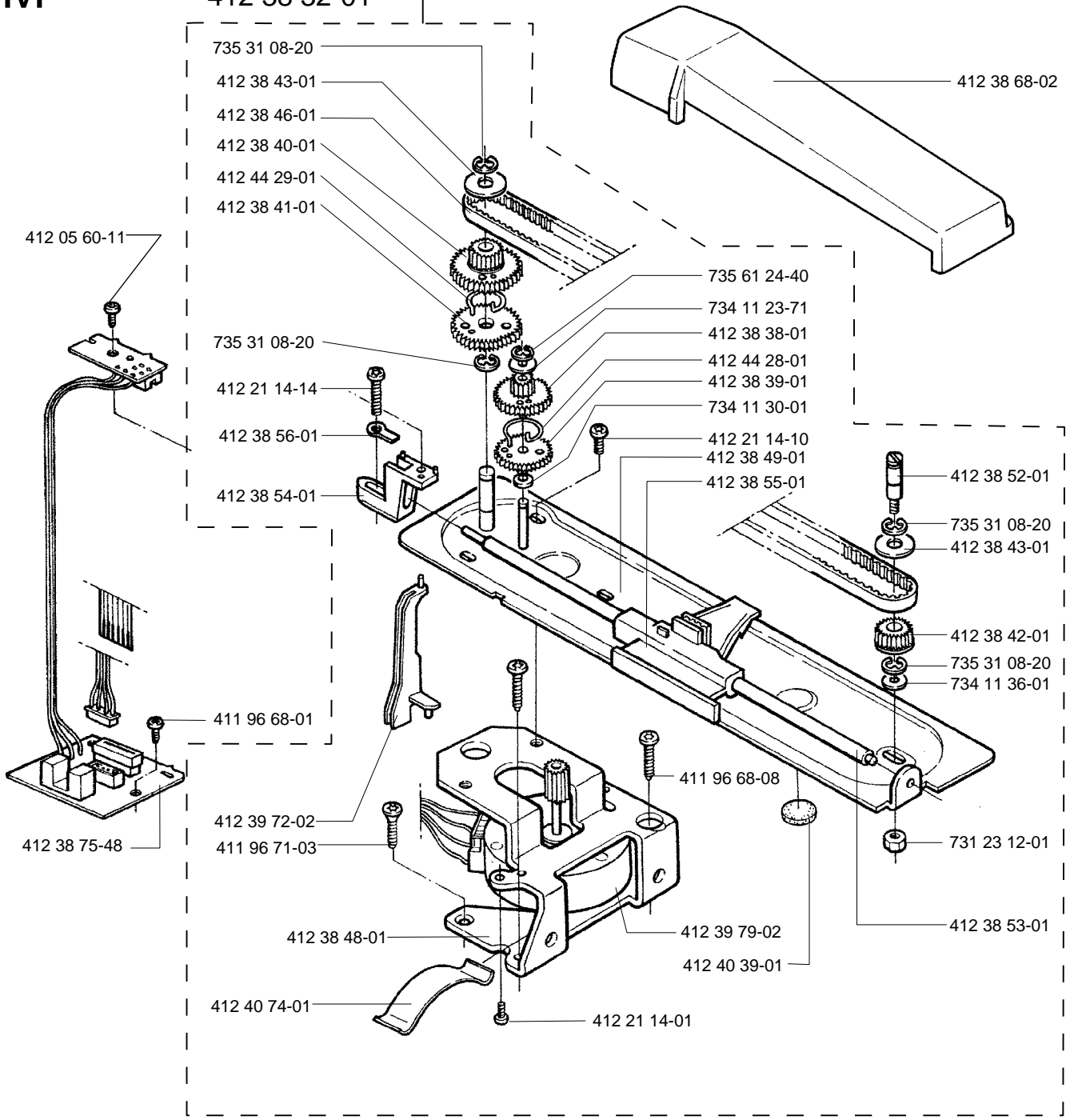
L

412 38 31-02

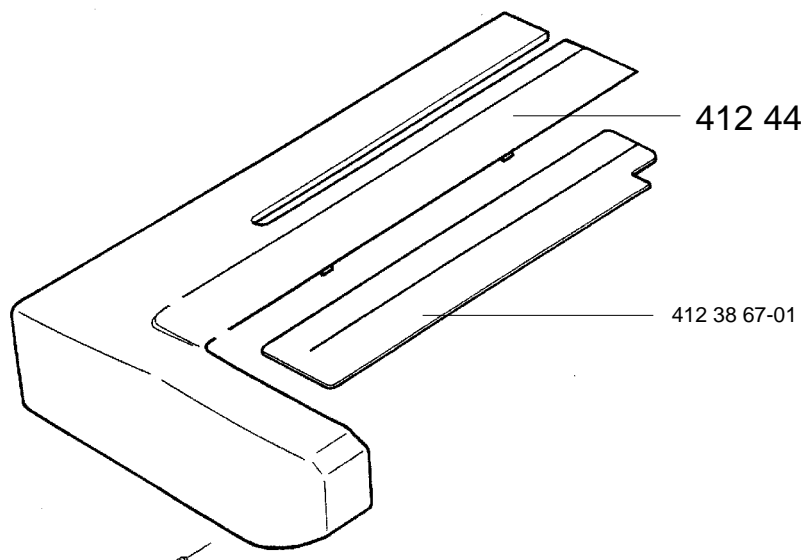


M

412 38 32-01



412 44 25-02



411 96 68-01

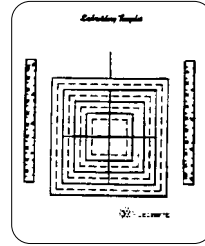
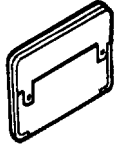
N

MEMORY CARD

EMBROIDERY TEMPLAT



412 41 61-02
Plastic bag with
access.



412 44 70-01

